



Transmit



Receive



Decode



Control

Universal Receiver RCU01 (4-Channel)

Baseline

The RCU01 is a 4-channel receiver which is universally applicable. It can be operated both with low- and mains voltage.

The receiver can memorise up to four transmission codes per channel. Every channel can be programmed with different operating modes.

The HF-receiver module can also be installed outside the device. This can improve the receiving characteristics.



RCU01-XX04M-01

Technical Details

Coding	not necessary, transmission code is memorized
Channels	4
Power Supply	12-24 V DC or 230 V AC
Control	Pulse (1 sec.) ON/OFF (1-button-control) Timer (30 sec., 3 min.) Dead man's mode (continuous operation) Awning-control ON/OFF (2-button-control)
Output	4 floating relay contacts
Max. Contact Duty	see Table of Loads
Degree of Protection	IP54
Operating Temperature	-20 °C to +60 °C
Dimensions	150 x 110 x 50 mm

Scope of Delivery

- Universal Receiver
- Antenna (internal)
- Mounting Material
- Operating Manual

Models

Product Key	Description	Frequency
RCU01-4104M-01	Universal-Receiver	433,92 MHz
RCU01-5004M-01	Universal-Receiver	868,30 MHz

Connection Diagram

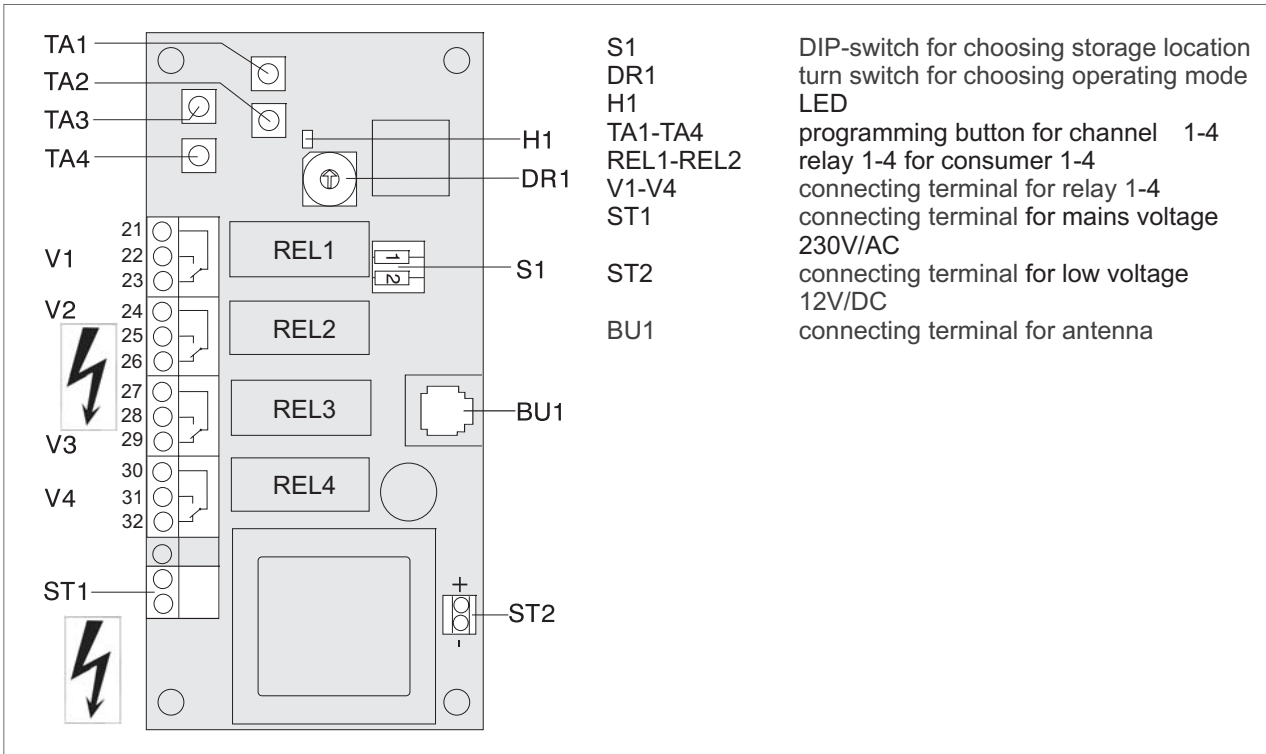


Table of Loads

Type of load	max. load
resistive load: lamps, 230 V halogen lamps etc.	8,0 A / 1.840 VA
inductive load: halogen lamps with wound transformers (min. load of transformer 85%)	2,6 A / 600 VA
non- or serial-compensated fluorescent lamps with ferromagnetic ballasts	8,0 A / 1.840 VA
parallel-compensated fluorescent lamps with ferromagnetic ballasts	2,6 A / 600 VA
capacity EVG: electronic cut-in units, electronic transformers etc.	4,0 A / 920 VA