

RCA04 Radio access control

The Radio access control RCA04 is used for potential-free control of door openers or gate controls in applications with a large number of users.

Up to 999 transmission codes can be managed for operation. Programming is menu-driven via a display. When the code of a programmed transmitter is received, the relay output emits a tunable PULSE.

Each memory slot can be locked, unlocked or deleted separately without having access to the associated transmitter.

All saved transmission codes and memory slots settings can be backed up to a micro SD card.

The Radio access control can be protected against unauthorized use by means of a 3-digit PIN code.

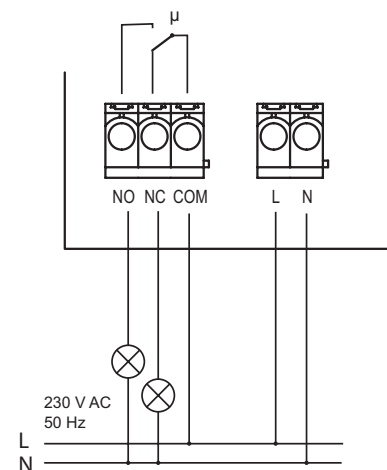


RCA04E5001A01-29K

Technical specifications

Coding	Easywave Up to 999 transmission codes can be programmed.
Frequency	868.30 MHz
Channels	1
Power supply	230 V AC, 50 Hz
Power consumption	1.3 W standby
Operating modes	PULSE (hold time 0.5 to 998 sec., retriggerable) DEADMAN
Outputs	1 potential-free relay contact (SPDT)
Maximum contact load	
- ohmic load	16.0 A / 3,680 VA
- inductive load	3.0 A / 690 VA
- non- or serial-compensated fluorescent lamps	3.0 A / 690 VA
- parallel-compensated fluorescent lamps	3.2 A / 736 VA
- electronic ballast capacity	4.0 A / 920 VA
Degree of protection	IP55 (when delivered)
Operating temperature	-20 °C to +50 °C
Dimensions	130 x 94 x 57 mm

Wiring diagram



Scope of delivery

- Radio access control
- Mounting kit
- Operating manual

Accessories (optional)

ACC-ANT50-03-21P	868.30 MHz external antenna cable length 5 m
------------------	---



ACC-ANT50-03-21P

Models

Product numbers

RCA04E5001A01-29K

Description

Radio access control 1-channel, 999 memory slots, 230 V