



Transmit



Receive



Decode



Control

ELDAT 

Switching Electrical Consumers

Easywave 

Simple Switching with the Plug-In Receiver



- ❖ Simple and comfortable switching of electrical consumers like lamps, fans, pumps etc. at the push of a button from every position with hand transmitters and radio wall switches.
- ❖ Integrated timer function allows setting an automatic turn off.
- ❖ Up to 32 transmitters can be memorized by the receiver.
- ❖ Simply save energy by minimal stand-by consumption of only 0.2 watt.
- ❖ No installation of cables, no dirt, no renovation work – switching where required. Reliable, comfortable, cross-functional.



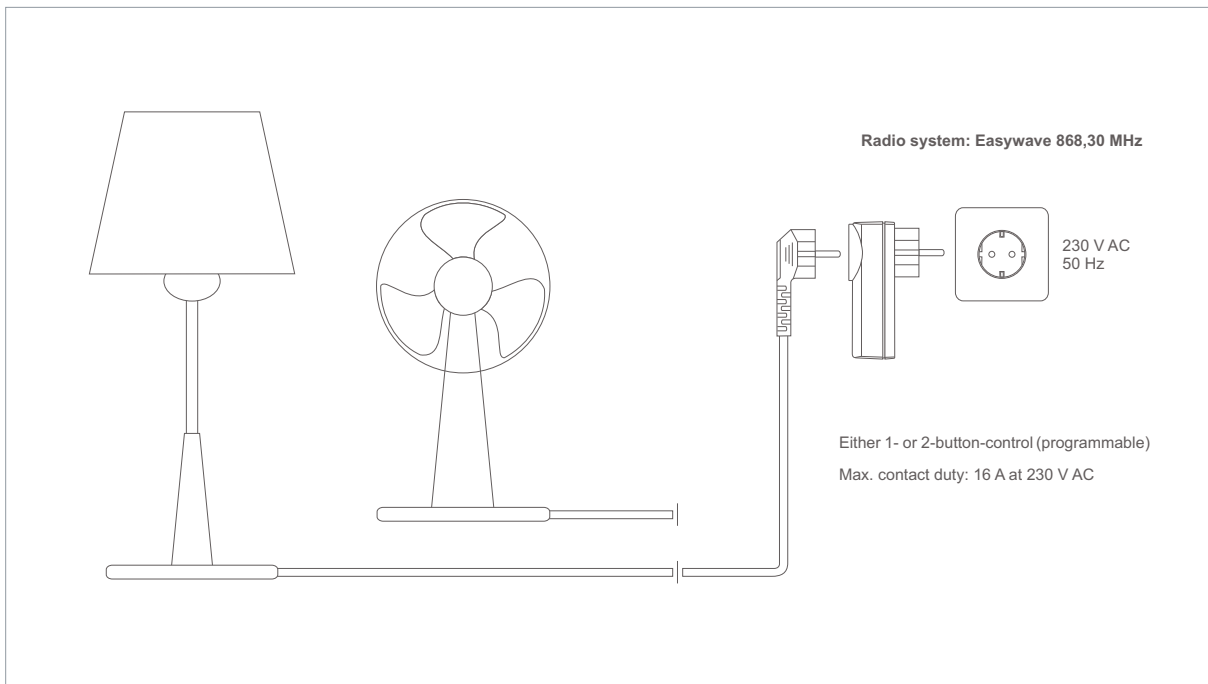
**Plug In. Memorize Codes. Done.
Save Energy – Conveniently by Radio Control.**

worldwide radio solutions: Building automation | Factory automation | Security Technology | Automotive Technology

ELDAT GmbH · Im Gewerbepark 14 · 15711 Zeesen · Germany · fon + 49 (0) 3375 9037-0 · fax + 49 (0) 3375 9037-90 · info@eldat.de · www.eldat.de

Description of Operation:

Turning an electrical consumer on and off (230 V AC / 50 Hz, e.g.: lamps and fans) with the Plug-In Receiver



Various operations possible by the use of hand transmitters, radio wall switches and timer switches.

- Hand transmitters with 1–24 channels in different variations.
- Radio wall switches in different variations.
- Radio time switches for either time control or manual control.

ELDAT Standards lead the way: 